

LitePoint Bluetooth Software Package

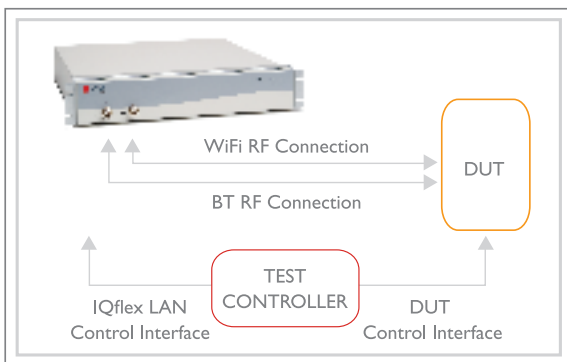
First to test Bluetooth v2.0 with EDR and WiFi in one pass

Description

Users of LitePoint IQview® and IQflex™ one-box testers can now test Bluetooth® enabled devices with the Litepoint Bluetooth Software Package. It handles both standard and Enhanced Data Rate (EDR) packet types to support the very latest Bluetooth end-product test needs. Production test programs for the manufacturing floor can now be developed that allow Bluetooth/WiFi combination products to be single-pass tested saving substantial manufacturing cost over dual-insertion testing.

The Bluetooth Software Package includes new API commands and integration of FM modulation support into the IQsignal™ analysis package (IQview installations only). When installed, the Bluetooth Software Package is automatically recognized by the IQview/IQflex test and analysis software and integrates seamlessly into the test software environment.

Bluetooth DUT (Device Under Test) test commands are made through the chip vendor's test control interface for fastest set-up times and LitePoint capture-once-measure-all hardware implementation allows full Rx and Tx testing with very few signal captures for the fastest test times.



Typical test system connections for combo BT/WiFi DUT.

Several Bluetooth IC vendor example test programs are included with the Bluetooth Software Package. It comes with recommended test sequences including device calibration, if required, which can be integrated into a final production test program.

Features

Once the DUT is in non-hopping test mode, the Bluetooth Software Package provides:

Transmit Group

- Output Power
- Tx Output Spectrum, 20dB Bandwidth
- Frequency Deviation: Average & Peak-to-Peak
- Initial Carrier Frequency Tolerance
- Carrier Frequency Drift
- EDR Relative Transmit Power
- EDR Carrier Frequency Stability & Modulation

Receive Group

- Receive Sensitivity, Basic & EDR Packets

BER Testing Support

- 1 & 3Mbps using LitePoint generated packets



